

MYWAY

LED Table Lamp

MANUAL GUIDE

PLEASE READ ALL THE SAFETY INSTRUCTIONS BEFORE THE DEVICE OPERATION. KEEP THIS MANUAL GUIDE SAFE FOR FUTURE REFERENCE.

INTRODUCTION

The MYWAY Table LED Lamp is a device for the work area lighting. The device head and arms can be adjusted at several points and with its smart little controller you can choose from a number of functions, such as brightness control and 3 color temperature options. It can be attached to both horizontal and vertical surfaces with its special multiple slots holding clamp. With its double LED lighting panel, the entire work area can be easily illuminated. With its 360° turning parts the light angle and direction can be adjusted just as desired and with its selectable color temperature, many effects can be achieved with it. In this way truly exceptional pictures and videos can be made of the completed works. As well as with its reduced-distortion light, the level of undulation interference in videos are insignificant*. Feel free to try it, it will be really enjoyable to work with. *The degree of undulation interference in the videos also depends on the other lighting fixtures used in the room.

HOW TO USE

ATTENTION! ALWAYS CHECK THE UNIT AND ITS ACCESSORIES JUST CONDITION BEFORE USE.

01. Remove the device and its accessories from the packaging, then choose a stable, even surface to use the device.

02. Attach the device to the selected surface as follows:

- Unscrew the bottom and side screws of the holding clamp (see fig. 08) to a fully open position (see fig. 08/a and 08/b).
- Place the holding clamp (see fig. 08) on the surface and push it until it stops. Hold the panel stable, then fasten it to the surface using the lower fixing screw until it stops (see fig. 08/a).
 - Attention!** Pay attention not to secure the fixing panel too hard on the surface (see fig. 08), otherwise damage may occur to the clamp or the surface.
 - The properly fixed clamp (see fig. 08.) must not move or be loose on the surface, otherwise the equipment may become unstable and damage may occur to it.
- Insert the device shaft into the holding clamp opening, pushing it until it stops (see fig. 07), then fix the shaft with the clamp side screw till it stops (see fig. 08/b).
 - Attention!** Pay attention not to overtighten the fixing screw on the device shaft (see fig. 08/b.), otherwise damage may occur to the device or to the screw.
 - The properly fixed equipment and shaft (see fig. 07) cannot move up or down in the holding clamp (see fig. 08), it can move only sideways.
- The device and the holding clamp are removed in reverse order after the device has been turned off and disconnected from the power supply (see HOW TO USE point 07).
 - Unscrew the holding clamp side screw to a fully open position (see fig. 08/b).
 - Remove the device with a straight, vertical move by holding the arms with both hands (see fig. 05), then place the device on a soft, stable surface.
 - Unwind the holding panel bottom screw to a fully open position (see fig. 08/a), when the panel is easy to move, remove it from the surface and place it on a soft, stable place.

03. Connect the device adapter to the mains socket (see fig. 11.), then connect its other end to the device power socket till it stops (see fig. 10.). **Note:** when the device is connected to the power supply, it will go into a standby mode and the control unit will light continuously at the on/off button (see fig. 09 and 09/d.)

04. Adjust the equipment position using the arms, the head unit and the fixing screws as follows (see fig. 01-06):

- Attention!** Before adjusting the desired position for any element, in any case, loosen the fixing screws until the part can be moved easily (see fig. 03, 04, 06.). Always hold the parts near the fixing screws by their base, otherwise damage may occur to the equipment and its accessories.
 - Fasten the adjusted parts using the fixing screws until they stop (see fig. 03, 04, 06.). **Note:** The properly secured parts cannot be loose, lose their position or move in their place. If necessary, fasten the relevant parts again. **Note:** Before and after each position change, loosen and refasten the screws once more.
- The head unit can be adjusted sideways in 360° and up and down till 270° (see fig. 01.)
 - The LED panels can be opened individually sideways in 90-90° and together up to 180°, both panels can be adjusted around their axis in 360° (see fig. 02.)
 - The arms can be adjusted forward and upward till 180° and backwards till 110° (see fig. 05.)

05. Switch on the equipment by pressing shortly once on the control unit on-off switch (see fig. 09/d.). **Note:** after the switch on, the control unit lighting will stop (see fig. 09/d.).

06. Select the desired operating functions by using the control unit switches as follows (see fig. 09/a, b, c.):

- Brightness control** (see fig. 09/a and 09/c): it can be adjusted by pressing the switches shortly once or hold the switcher down continuously.
- Color temperature control** (see fig. 09/b): by pressing shortly on the 09/b switch a few times. 3 types of color temperature can be selected -> 3200K: warm yellow, 4800K: daylight yellowish-white and 6500K: cold bluish-white.

07. After the device use is finished, turn it off and disconnect it from the power supply as follows:

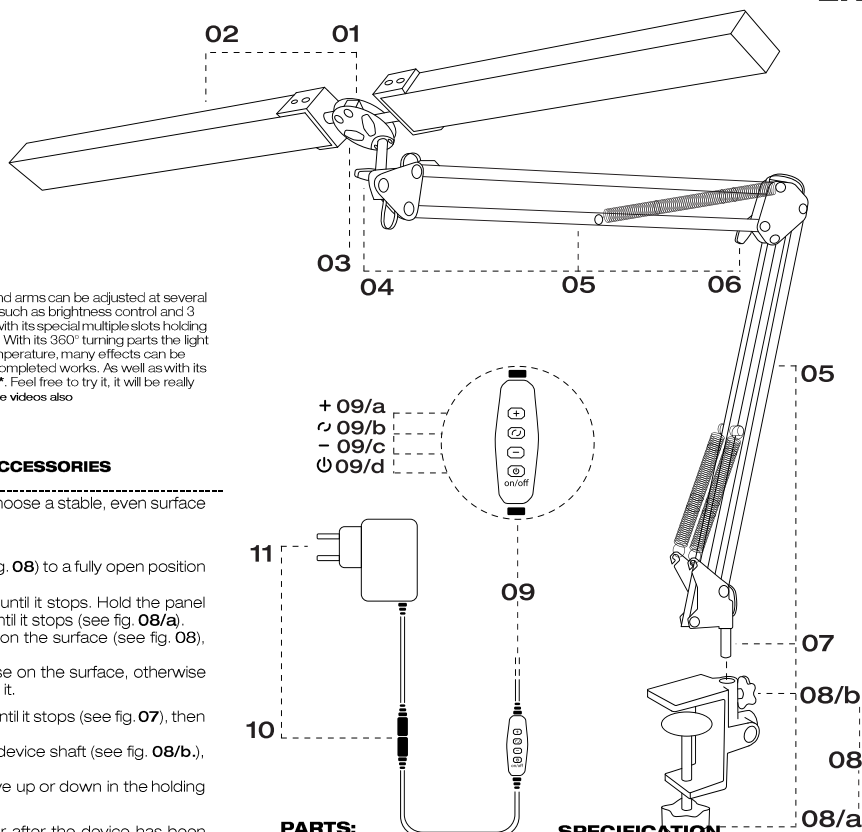
- Shortly press the on-off switch on the control unit (see fig. 09/d.). **Note:** at this point, the device will go into a standby mode and the control unit will light once again continuously at the on/off button (see fig. 09/d.).
- Remove the adapter cable from the device socket with a firm movement by holding the connectors heads (see fig. 10.), then remove the adapter from the mains socket as well.
- If necessary, remove the device from the holding clamp in accordance with the HOW TO USE point 02/d.

SAFETY CAUTIONS

- The device and its accessories can only be used indoors, between 0-40°C.
- The device cannot be used by persons under the age of 18.
- Before the device operation, always check the equipment and its accessories condition.
- Only use the equipment with its original accessories.
- Use/store the device in a dry, clean indoor location away from radiant heat. Avoid wet/damp, dirty areas.
- Only use/store the device on a stable, even surface. Avoid places where the device can easily fall or become damaged or unauthorized persons can access to it.
- The switched-on device must not be left without supervision.
- Regarding to the device proper fixing and positioning, carefully read the HOW TO USE 02 and 04 points otherwise damage may occur to the device.
- No foreign objects may enter the device joints, connectors or openings.
- No liquid may get inside the device or its switches, openings, connectors, or contact with the power adapter.
- Never touch the device or its accessories with wet/moist hands, even when it is switched off and disconnected from the power supply.
- Never operate the equipment if any of its parts or accessories or its socket is damaged or has fallen into water.
- Take the device to the place of purchase to be examined and the necessary repairs can carry out.
- Only competent persons may repair the device or its accessories. **MarilyNails Ltd., Professional service (Soroksari street 160., H-1095 Budapest, Hungary).**
- Do not look directly into the device's light source during operation (see fig. 02.).
- The electrical parts of the device can be charged even when it is switched off. At the end of use, always switch off and remove from the power supply according to HOW TO USE 07 chapter.

ATTENTION! In case of the device or its accessories failure or replace, visit the place of purchase and ask for professional help.

MarilyNails Ltd., Soroksari street 160., H-1095 Budapest, Hungary
For more information about the device, visit our website: <http://www.marilynails.com>



PARTS:

- Head unit
- LED light panel (double)
- Fixing screw (head part)
- Fixing screw (neck part)
- Arms
- Fixing screw (arms)
- Holding shaft
- Holding clamp and fixing screws
- Control unit
- Adapter socket
- AC Adapter

SPECIFICATION

Input: 100-240V; 50/60Hz
Output: 12V; 2.0A
Power: max.24W±10%
Lumen: 1300lm
Color temperature: 3200K, 4800K, 6500K
Size: 1125*70*83mm
Weight: 714g±10%

ACCESSORIES

1pc AC Adapter
1pc Holding clamp

MAINTENANCE and CLEANING

ATTENTION! DO NOT DISASSEMBLE THE DEVICE OR ITS ACCESSORIES. BEFORE MAINTENANCE and CLEANING, ALWAYS MAKE SURE THE EQUIPMENT TURNED OFF AND CHARGE FREE STATE IN ACCORDANCE WITH THE HOW TO USE 07. CHAPTER. PROCEED ONLY WITH THE MAINTENANCE and CLEANING AFTER THE DEVICE COMPLETE COOL DOWN. IT IS RECOMMENDED TO WEAR GLOVES DURING THE OPERATION.

TOOLS FOR MAINTENANCE:

soft brush and a synthetic fiber-free dry, clean, soft cloth.

MAINTENANCE: Remove the device and place it on a stable, even surfaced place according to the HOW TO USE 02/d. point (it is recommended to place a soft cloth under the device). Wipe the device external casing with a soft, dry cloth, then clean the hard-to-reach parts with the soft brush. Wipe the external casing clean once again with the soft, dry cloth, then put the device back to the holding clamp and check the device correct operation in accordance with the HOW TO USE 02-06. points.

Attention! In case of more stubborn contamination, the device external casing can be cleaned with a slightly damp soft cloth, but take extra care that no liquid can get inside the device or its openings, joints or come into contact with its control unit, adapter and connector (see fig. 09, 10, 11), otherwise damage may occur to the equipment. Spread the cleaning liquid first on the fabric, then treat the surface with it. After the wet cleaning, always wait for the device complete dry, and do not put the device under in charge for at least 1-2 minutes! Do not use cleaning agents with solvent content!

In case of average use, clean the device and its accessories at least once a week as described above or if necessary, visit the place of purchase or our professional service. **Professional service: MarilyNails Ltd., Professional service (Soroksari street 160., H-1095 Budapest, Hungary).**

STORAGE: Always store the device and its accessories indoors, in a dry place, away from radiant heat, in a clean condition. Wrap the device Adapter cable loosely, taking care not to break it. Before the liquid operation, always check the equipment and its accessories condition.